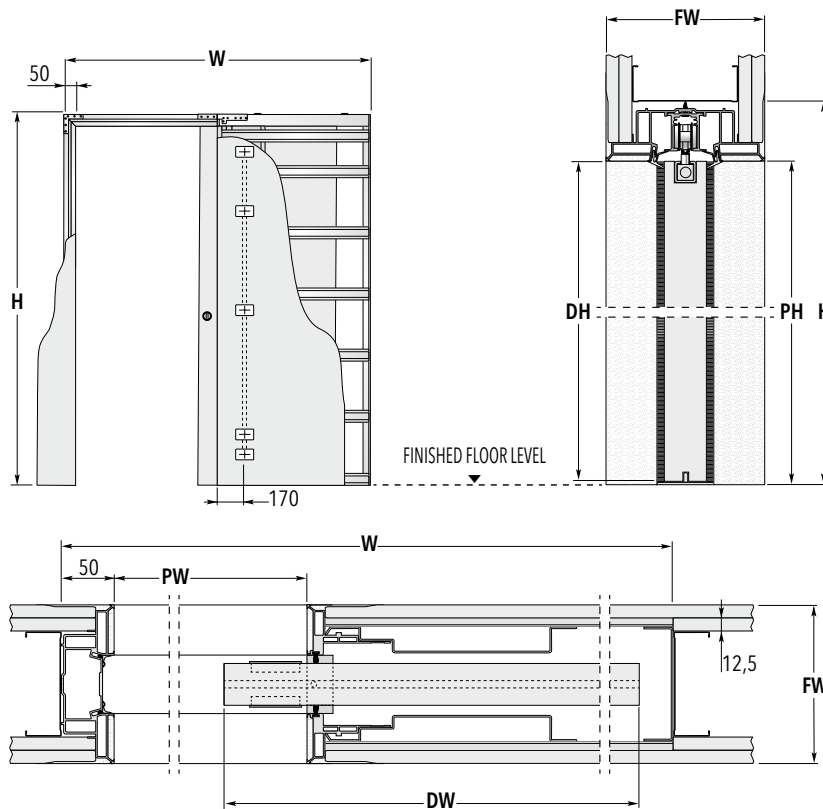
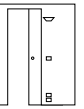


SYNTESIS® FLUSH SINGLE - wiring ready

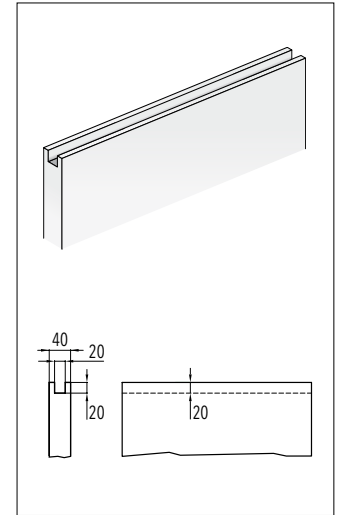
SOCKET READY SINGLE FLUSH POCKET

Flush Pocket Door System
Wiring/Socket Ready



IMPORTANT

Wooden door panels should be routed as shown along the top edge.



FRAMES FOR SINGLE DOORS			DOOR PANEL UK	
MAX. PASSAGE SIZE PW x PH	OVERALL DIMENSION W x H	FINISHED WALL FW	DW	DH
600 x 2048	1400 x 2108	150	626	2040
700 x 2048	1600 x 2108	150	726	2040
800 x 2048	1800 x 2108	150	826	2040
900 x 2048	2000 x 2108	150	926	2040
1000 x 2048	2200 x 2108	150	1026	2040
584 x 1989	1384 x 2049	150	2ft. 0in. x 6ft. 6in. (610 x 1981 mm)	
660 x 1989	1560 x 2049	150	2ft. 3in. x 6ft. 6in. (686 x 1981 mm)	
736 x 1989	1736 x 2049	150	2ft. 6in. x 6ft. 6in. (762 x 1981 mm)	
812 x 1989	1812 x 2049	150	2ft. 9in. x 6ft. 6in. (838 x 1981 mm)	
888 x 1989	1988 x 2049	150	3ft. 0in. x 6ft. 6in. (914 x 1981 mm)	
675 x 1989	1575 x 2049	150	2ft. 4in. x 6ft. 6in. (711 x 1981 mm)	
775 x 2040	1775 x 2100	150	2ft. 8in. x 6ft. 8in. (813 x 2032 mm)	
825 x 2040	1925 x 2100	150	2ft. 10in. x 6ft. 8in. (864 x 2032 mm)	

Dimensions are given in mm



NOTES

- ▶ Available in Non Standard Sizes up to 1300 x 2700 mm passage size.
- ▶ Suitable for use with 35 or 44 mm thick doors.
- ▶ Back boxes up to 44 mm deep can be installed on each side of the pocket.
- ▶ Max door weight 100 kg.
- ▶ When fitting flush pull handles we recommend the stop be regulated so the door protrudes from the pocket to avoid risk to fingers.
- ▶ Should the door be adjusted to enter the pocket completely we do not accept any liability.
- ▶ Doors and plasterboard not supplied.
- ▶ Install at finished floor level.



ACCESSORIES

- ▶ **Door Furniture**
Flush Pulls and Bathroom Locks
- ▶ **Flush Skirting Board adaptor**
- ▶ **ECLISSE BIAS®**
Soft Close anti-slam device with 40 kg soft closing
- ▶ **ECLISSE BIAS® DS**
Bi-directional soft close up to 40 kg with anti-slam