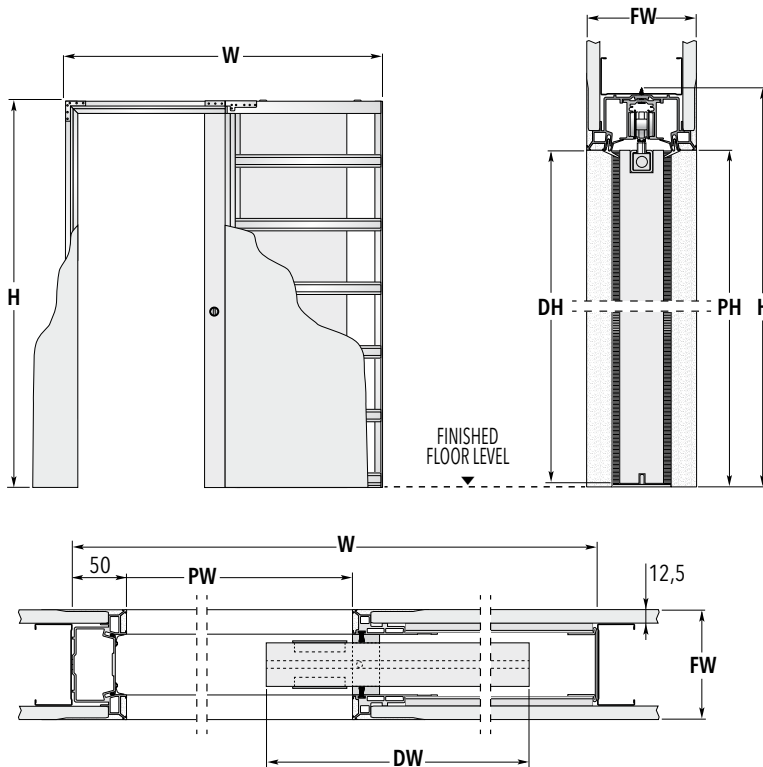
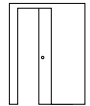


# SYNTESIS® FLUSH SINGLE

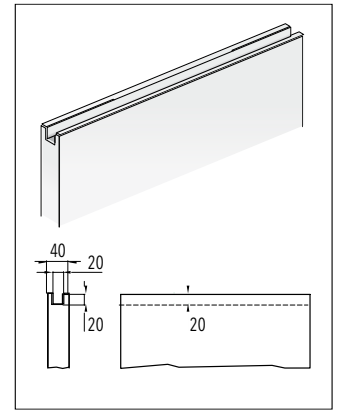
## SINGLE FLUSH POCKET DOORS SYSTEM

Flush Pocket Door System  
no jambs, no architraves



### IMPORTANT

Wooden door panels should be routed as shown along the top edge.



### PLEASE NOTE INBUILT TOLERANCE

If setting out your studwork before delivery of your frame please note there is approximately an 8mm tolerance built into the height of these pocket door systems which you will need to take into account. Packers may be required to accommodate for this gap if you are unable to adjust the studwork above the system.

Note: Frame should be installed at finished floor level.

FRAMES FOR SINGLE DOORS			DOOR PANEL UK	
MAX. PASSAGE SIZE	OVERALL DIMENSION	FINISHED WALL	DW	DH
PW x PH	W x H	FW		
600 x 2048	1400 x 2108	100 - 125 - 150	626	2040
700 x 2048	1600 x 2108	100 - 125 - 150	726	2040
800 x 2048	1800 x 2108	100 - 125 - 150	826	2040
900 x 2048	2000 x 2108	100 - 125 - 150	926	2040
1000 x 2048	2200 x 2108	100 - 125 - 150	1026	2040
584 x 1989	1384 x 2049	100 - 125 - 150	2ft. 0in. x 6ft. 6in. (610 x 1981 mm)	
660 x 1989	1560 x 2049	100 - 125 - 150	2ft. 3in. x 6ft. 6in. (686 x 1981 mm)	
736 x 1989	1736 x 2049	100 - 125 - 150	2ft. 6in. x 6ft. 6in. (762 x 1981 mm)	
812 x 1989	1812 x 2049	100 - 125 - 150	2ft. 9in. x 6ft. 6in. (838 x 1981 mm)	
888 x 1989	1988 x 2049	100 - 125 - 150	3ft. 0in. x 6ft. 6in. (914 x 1981 mm)	
675 x 1989	1575 x 2049	100 - 125 - 150	2ft. 4in. x 6ft. 6in. (711 x 1981 mm)	
775 x 2040	1775 x 2100	100 - 125 - 150	2ft. 8in. x 6ft. 8in. (813 x 2032 mm)	
825 x 2040	1925 x 2100	100 - 125 - 150	2ft. 10in. x 6ft. 8in. (864 x 2032 mm)	



### NOTES

- ▶ Available in Non Standard Sizes up to 1300 x 2700 mm passage size.
- ▶ Suitable for use with 35 or 44 mm thick doors.
- ▶ Max door weight 100 kg.
- ▶ Passage sizes above 1000 x 2150 mm must be 125 or 150 mm wall thickness.
- ▶ When fitting flush pull handles we recommend the stop be regulated so the door protrudes from the pocket to avoid risk to fingers.
- ▶ Should the door be adjusted to enter the pocket completely we do not accept any liability.
- ▶ Doors and plasterboard not supplied.
- ▶ Install at finished floor level.



### ACCESSORIES

- ▶ **Door Furniture**  
Flush Pulls and Bathroom Locks
- ▶ **Flush Skirting Board adaptor**
- ▶ **ECLISSE BIAS®**  
Soft Close anti-slam device with 40 kg soft closing
- ▶ **ECLISSE BIAS® DS**  
Bi-directional soft close up to 40 kg with anti-slam