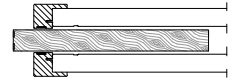
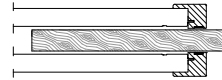


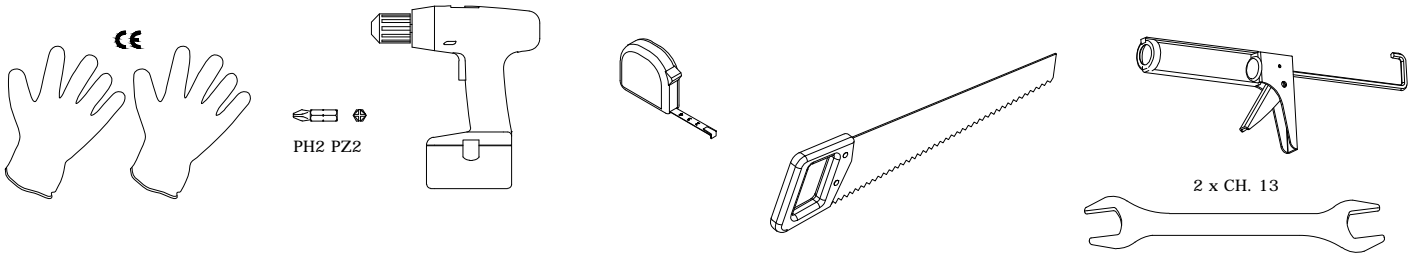
UK



## INSTALLATION INSTRUCTION FOR DOOR PANELS AND JAMBS FIRE RATED DOUBLE POCKET DOOR SYSTEMS



### TOOLS REQUIRED



### COMPONENTS

<b>a</b> 4 x		<b>d</b> 16 x		<b>g</b> 4 x	
<b>b</b> 4 x		<b>e</b> 2 x		<b>h</b> 4 x	
<b>c</b> 4 x		<b>f</b> 2 x		NOT INCLUDED IN THIS KIT, SUPPLIED WITH ECLISSE CLASSIC POCKET DOOR KIT	

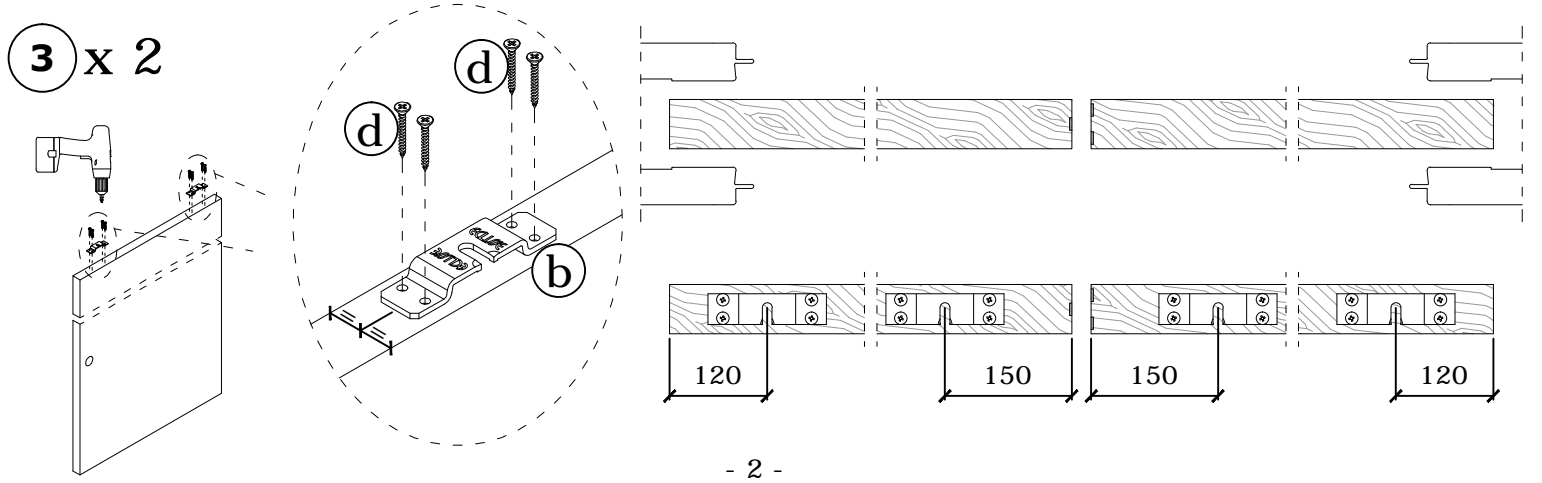
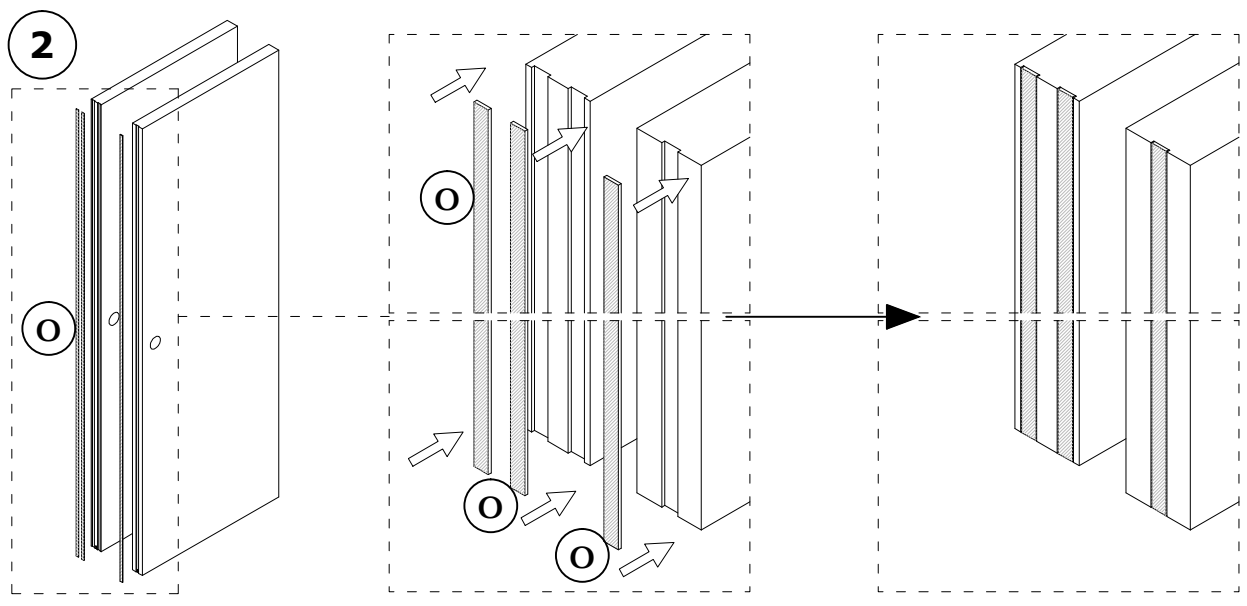
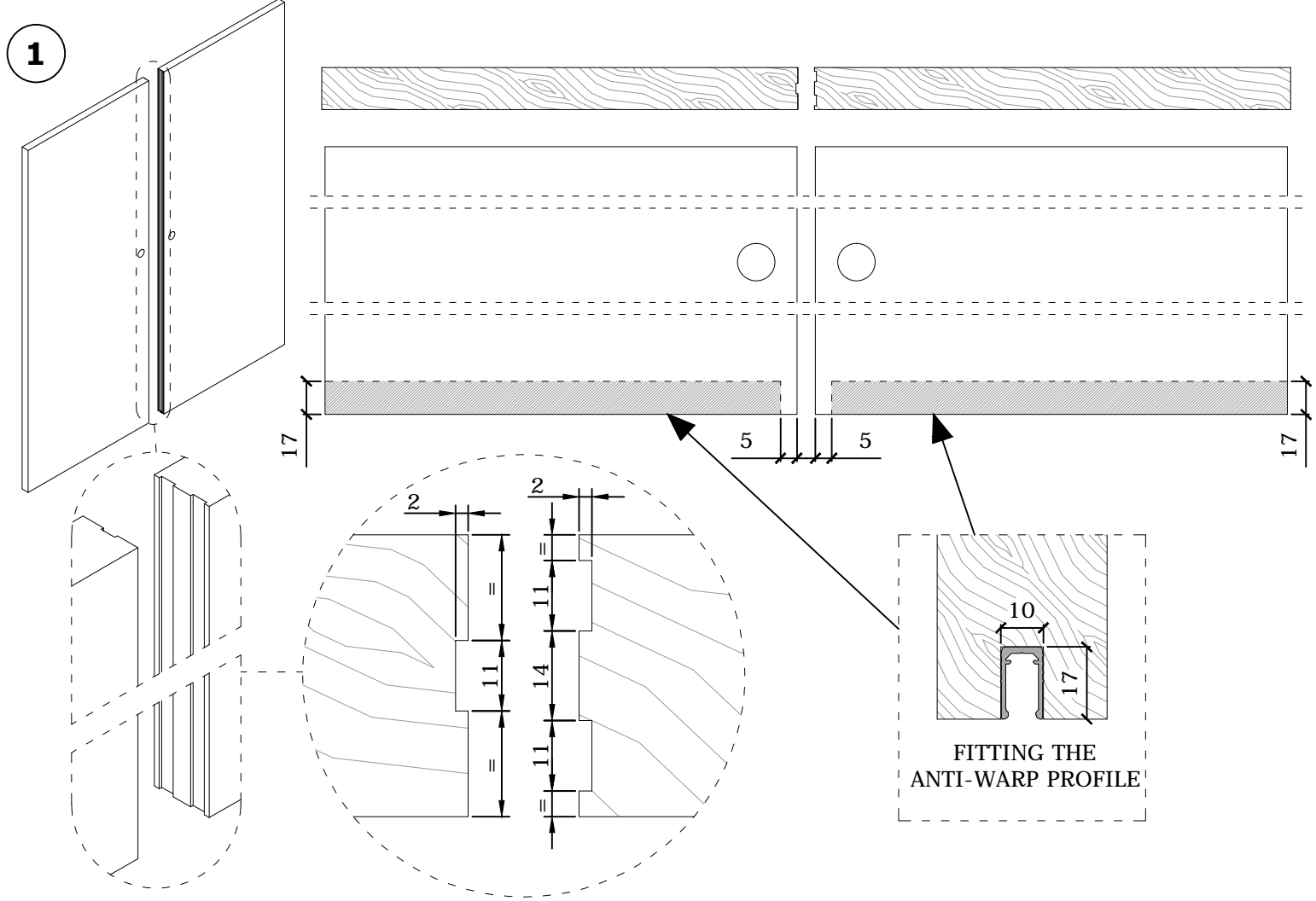
<b>i</b> 2 x		
<b>l</b> 2 x		
<b>m</b> 2 x		
<b>n</b> 10 x		
<b>o</b> 3 x		

INTUMESCENTS FOR JAMBS (FLEXODICE - DARK BROWN)

INTUMESCENTS FOR LEADING EDGE OF DOOR (MEETING STILES) - (INTERDENS - YELLOW ONE SIDE)

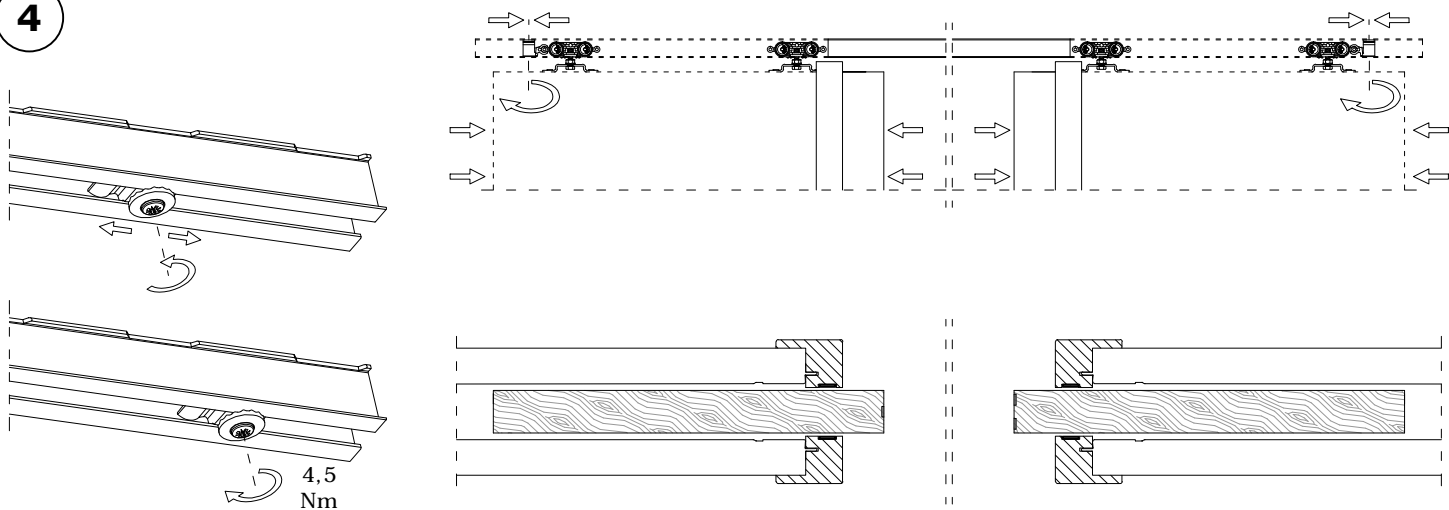
\*\*\* IMPORTANT: DO NOT BEND

<b>p</b> 1 x		<b>q</b> 12 x		4,8 X 50 (NOT SUPPLIED)
--------------	--	---------------	--	----------------------------

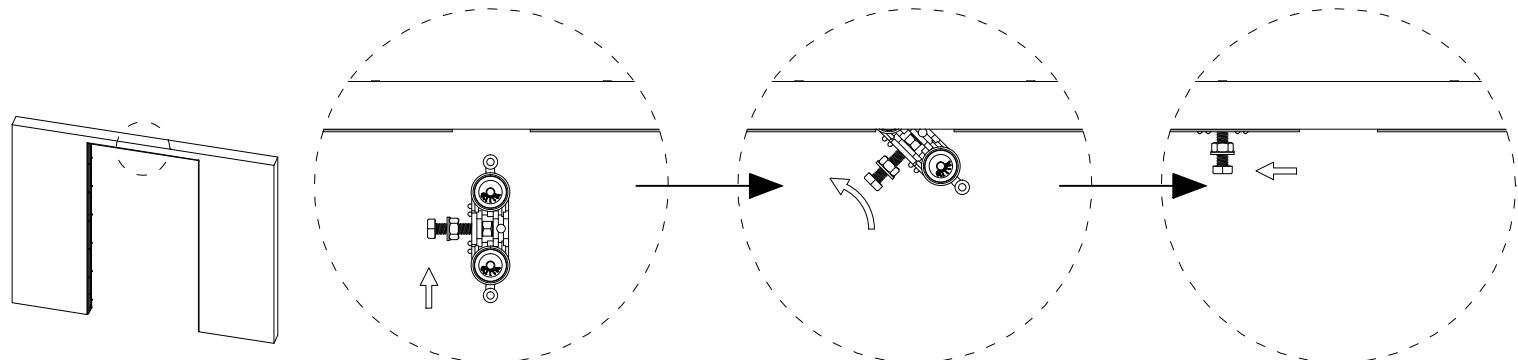
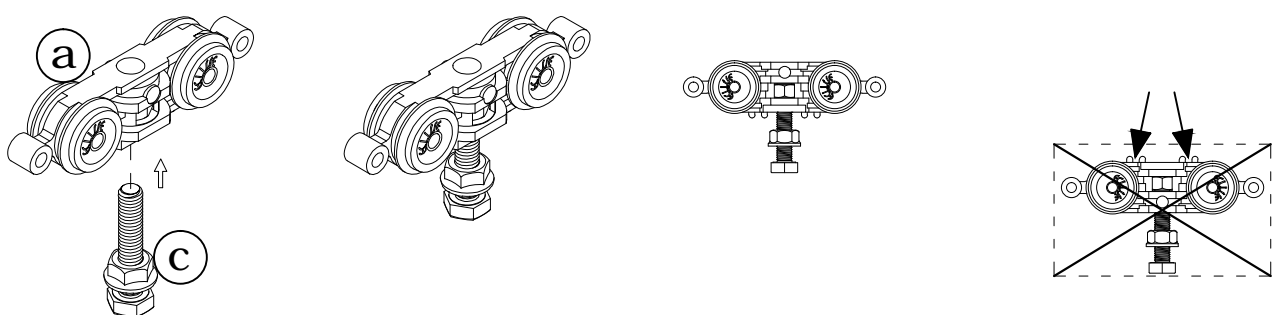


HOW TO ADJUST THE REAR STOP BEFORE INSTALLING THE DOOR

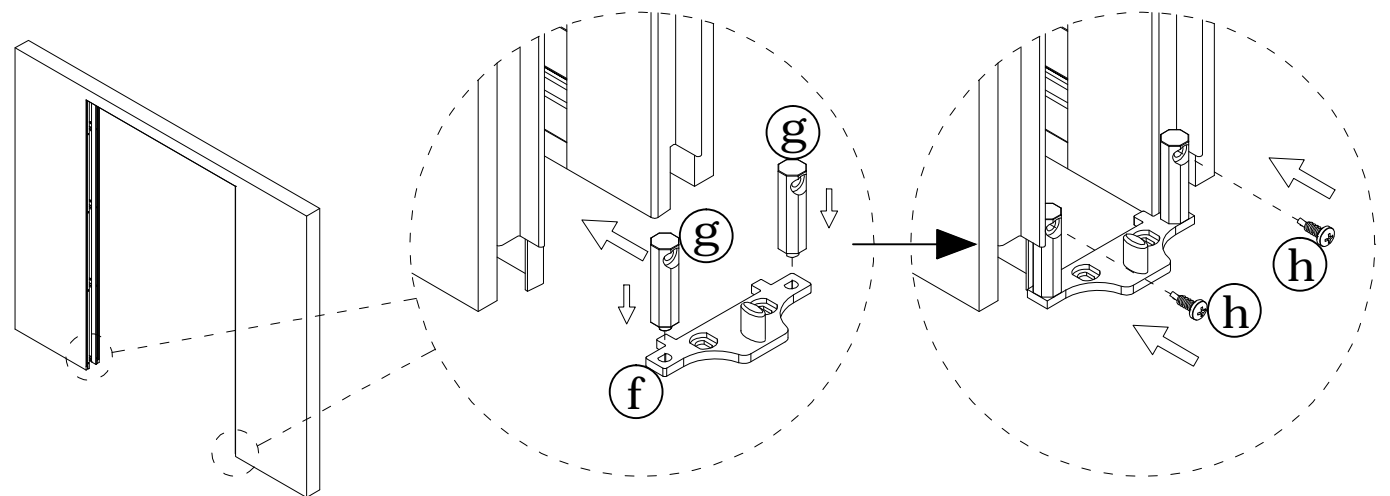
4



5 x 4

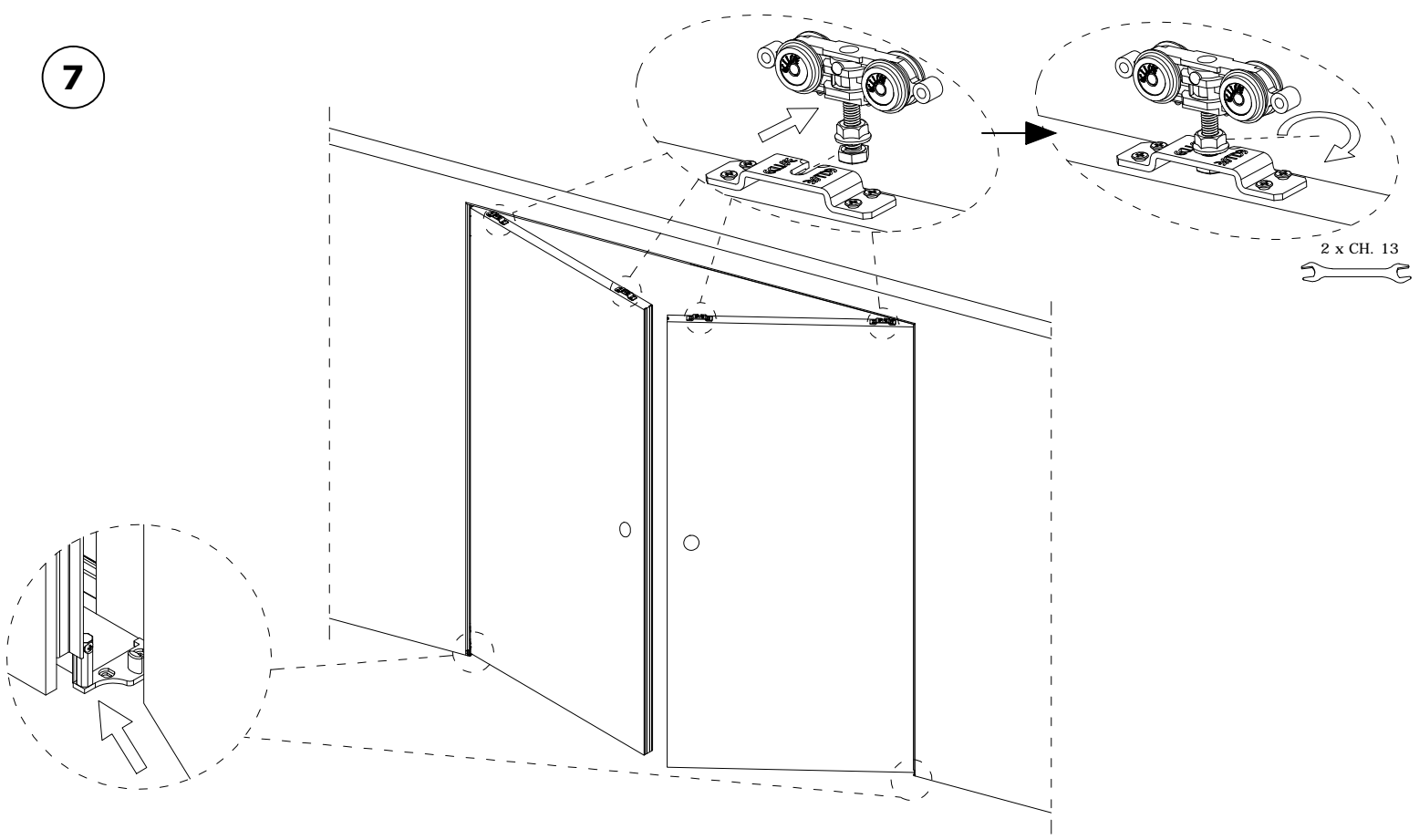


6

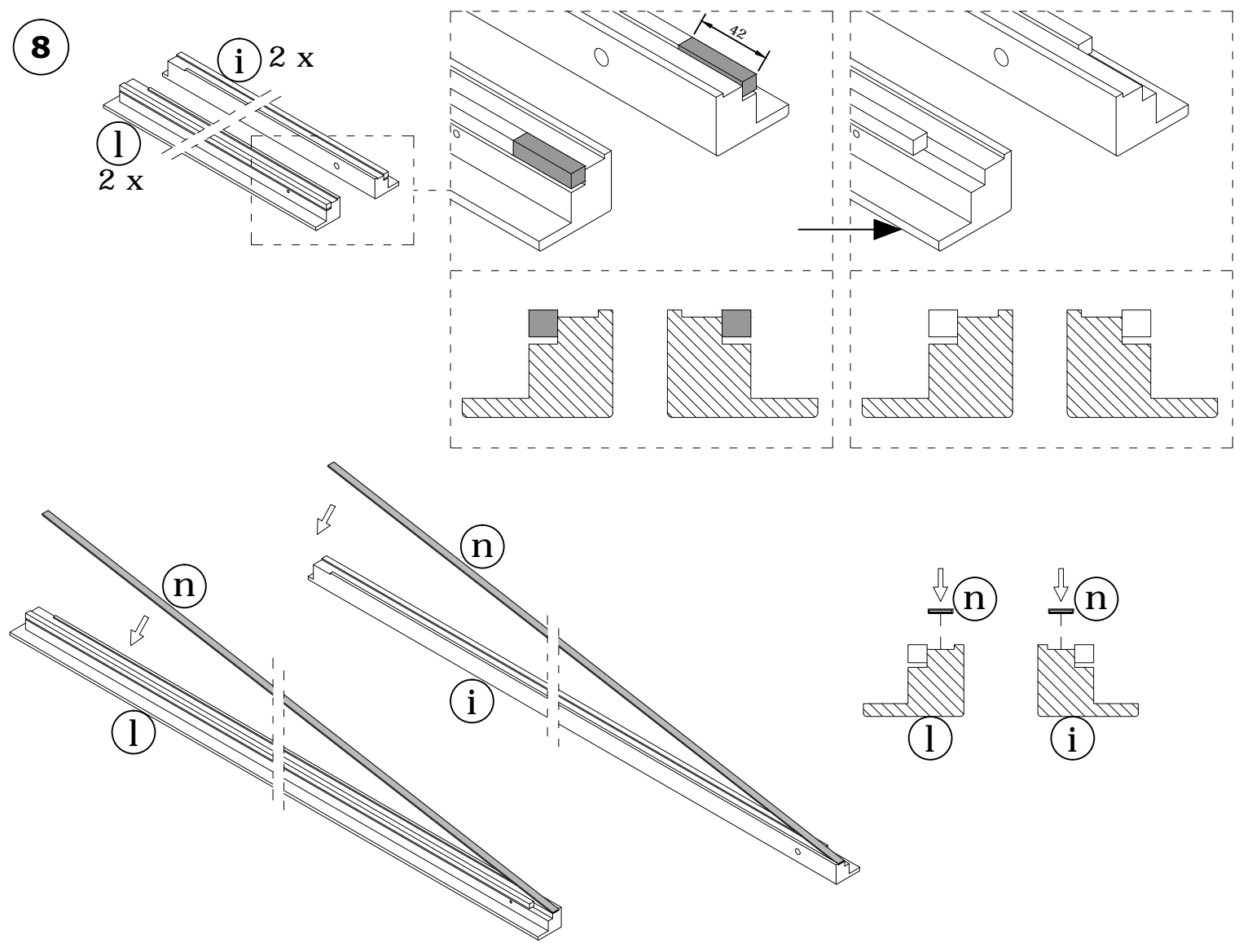


IF THE USE OF AN ECLISSE SELF CLOSING SYSTEM IS REQUIRED (PLEASE CHECK WITH YOUR BUILDING INSPECTOR) THEN NOW IS THE TIME TO DO SO. PLEASE REFER TO THE INSTRUCTIONS SUPPLIED WITH THE ECLISSE SELF CLOSER

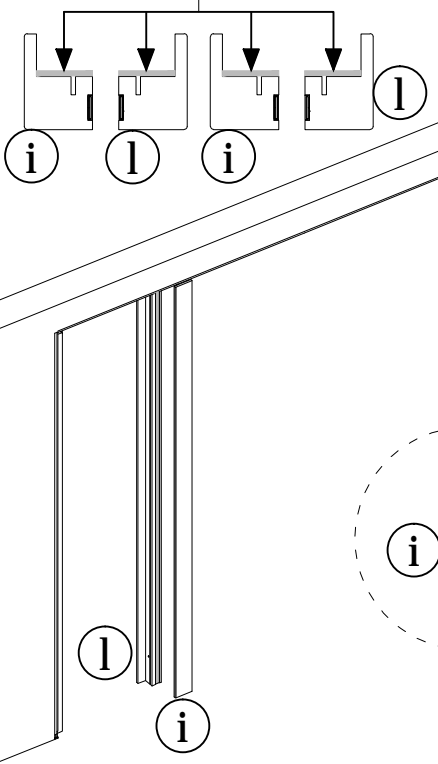
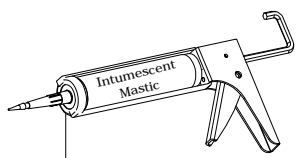
7



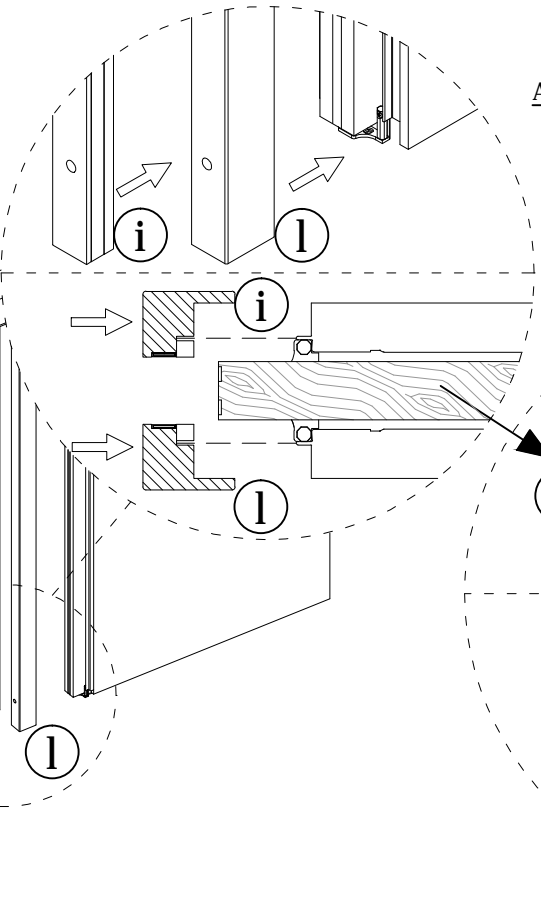
8



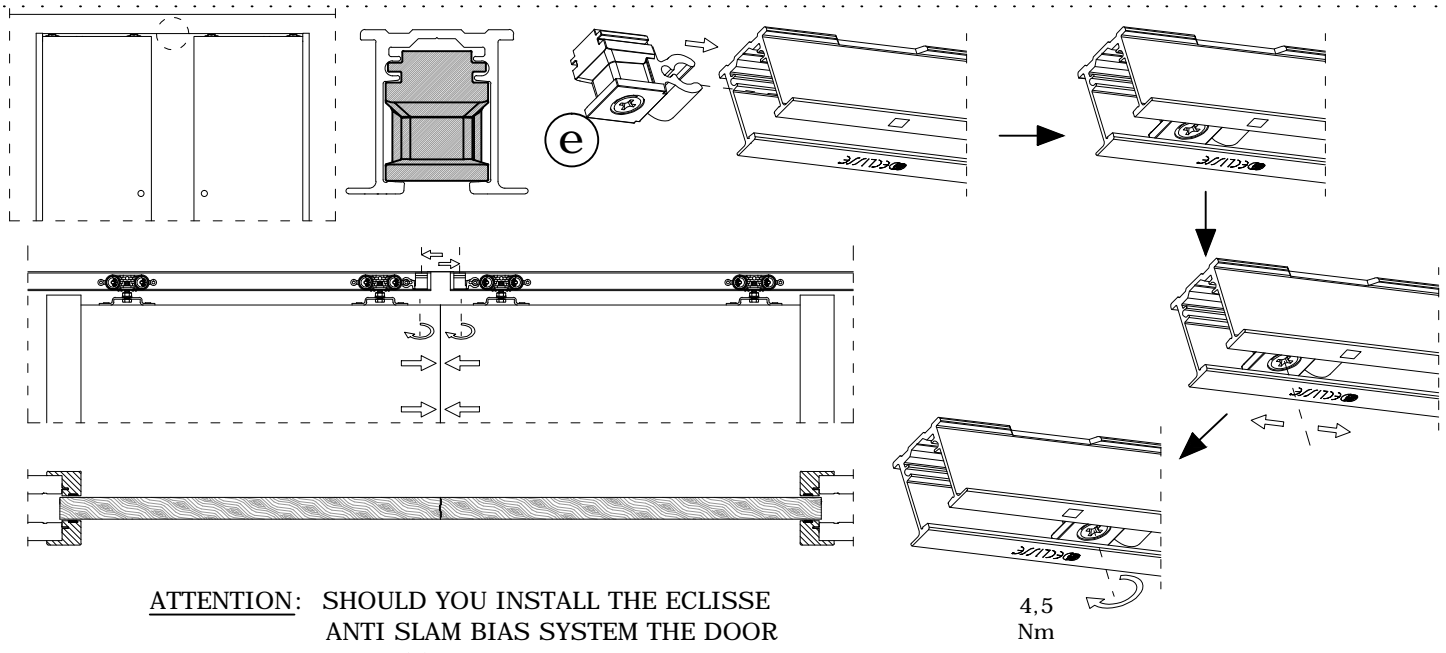
9



**ATTENTION:** FOR HEIGHTS ABOVE 2040 MM DOOR PANEL USE TWO SCREWS IN THE EXISTING EXTRA HOLES.

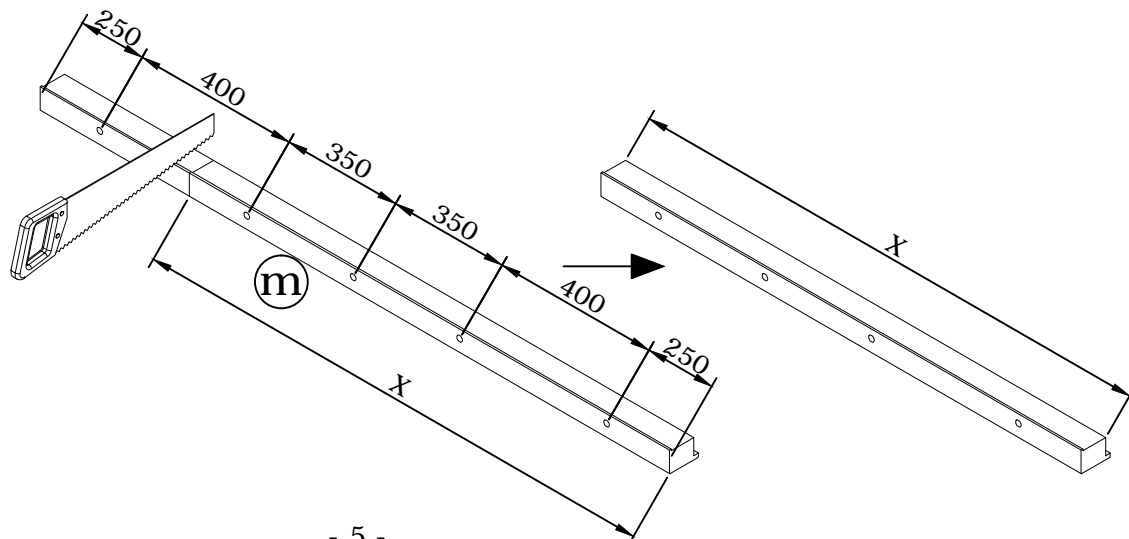
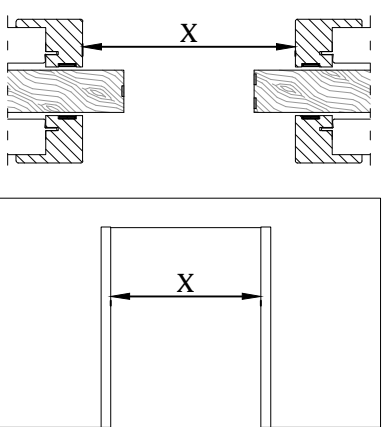


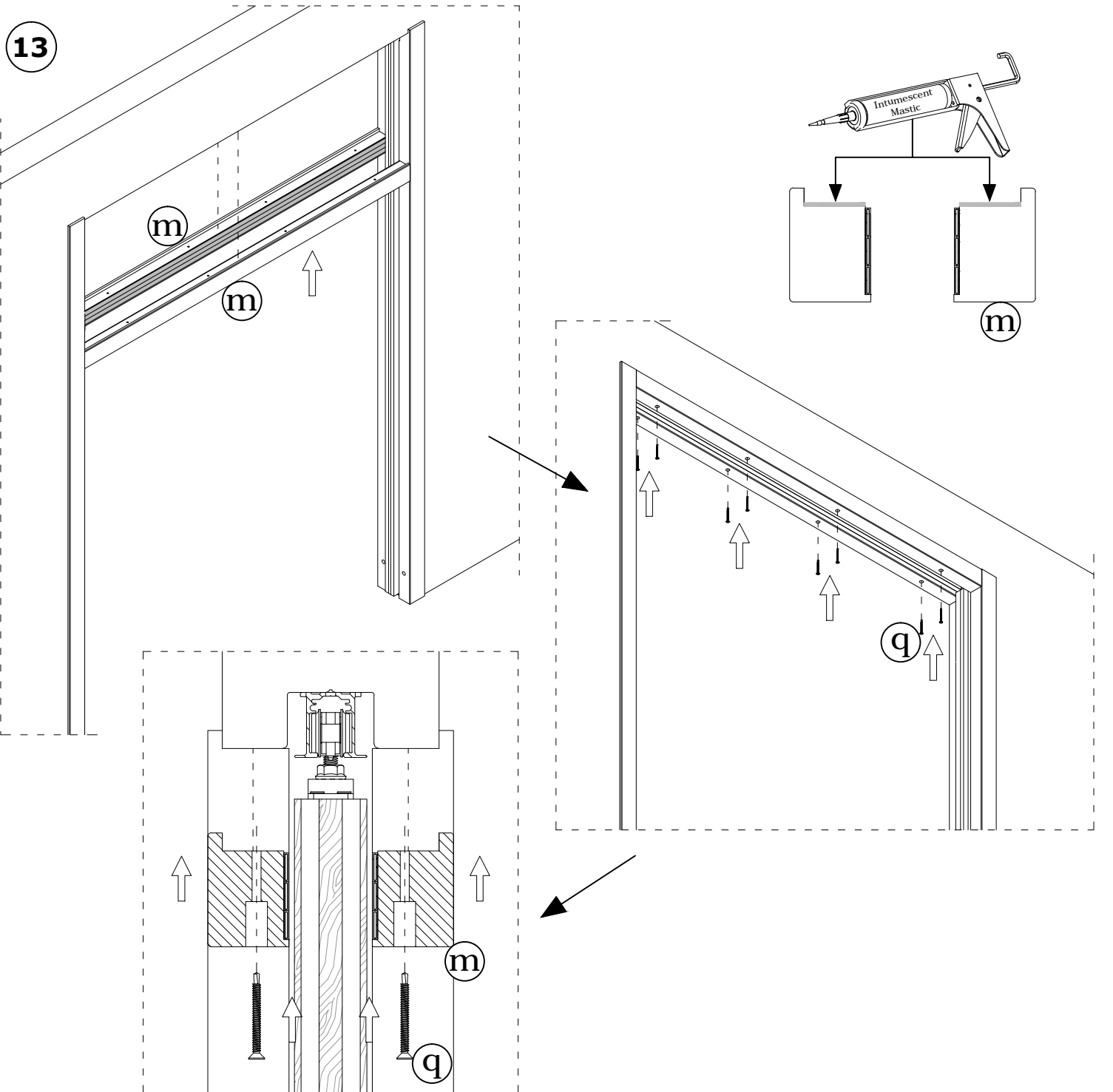
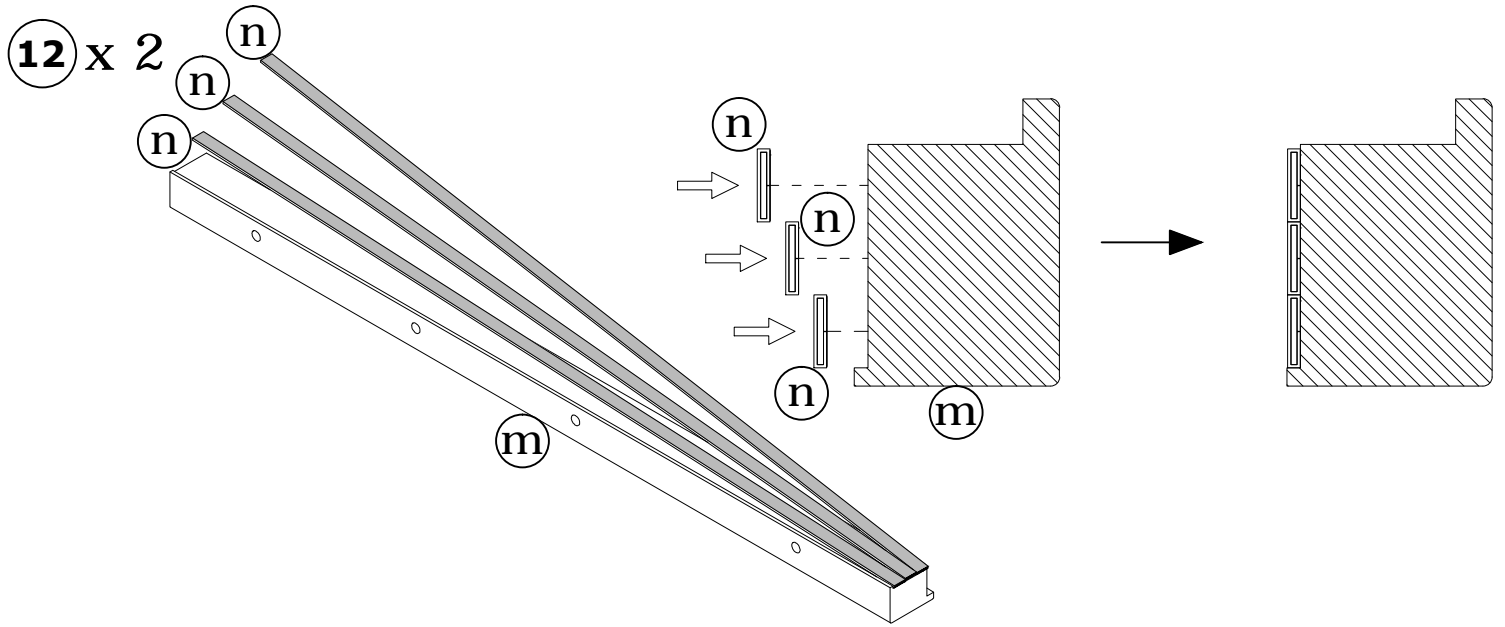
10



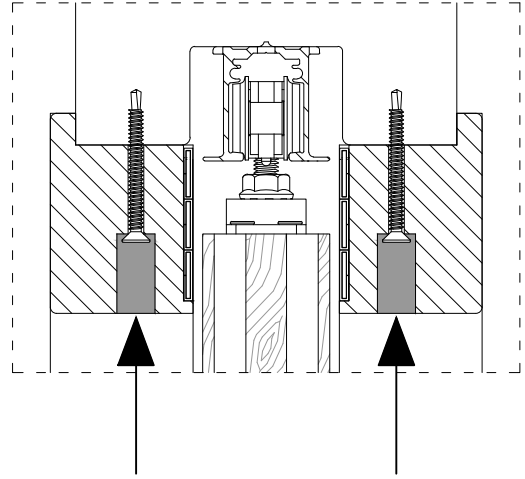
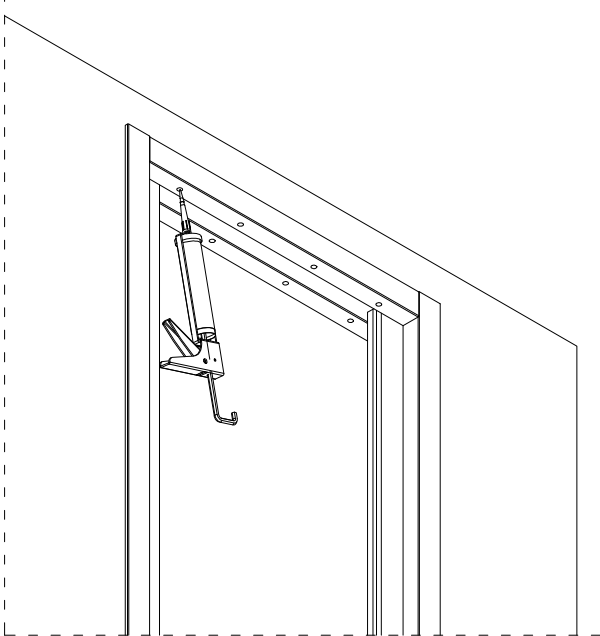
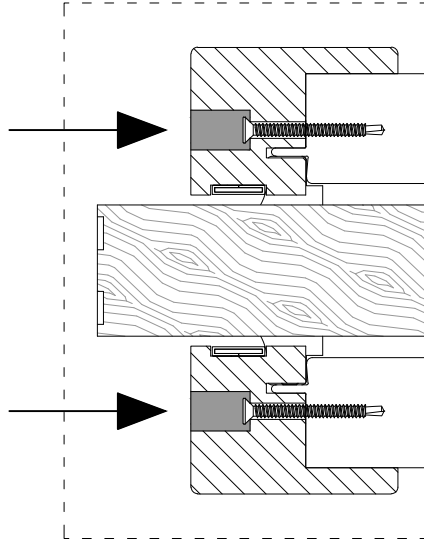
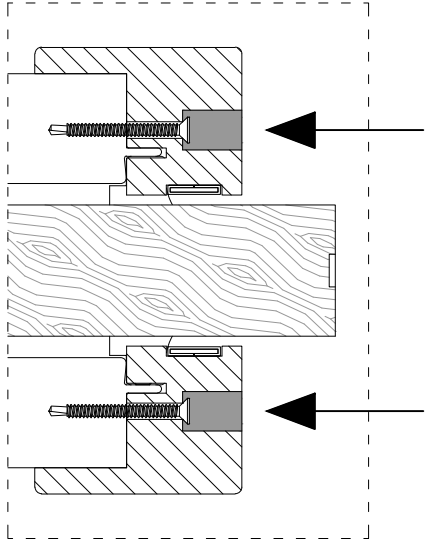
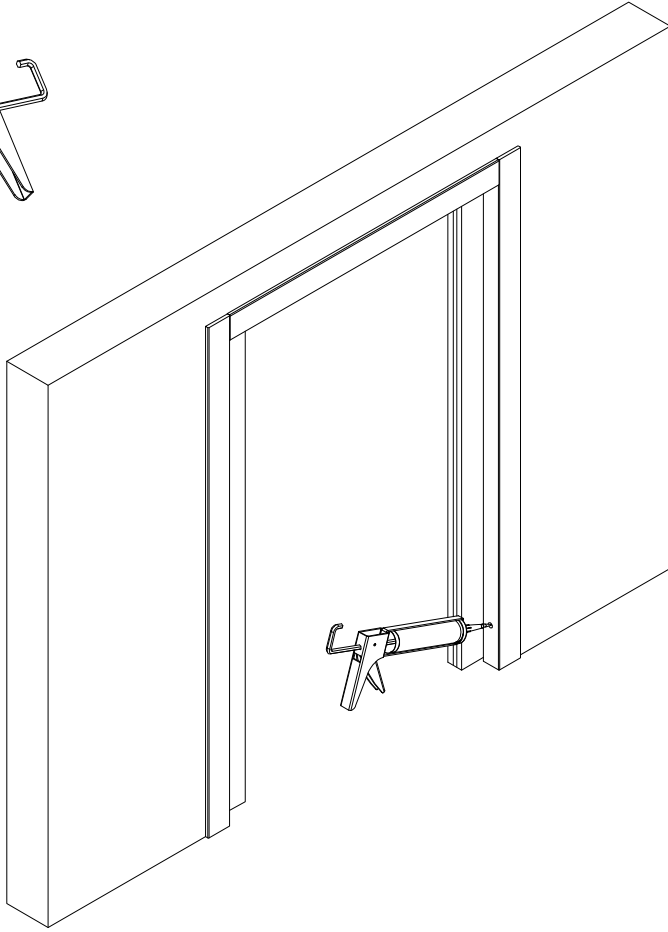
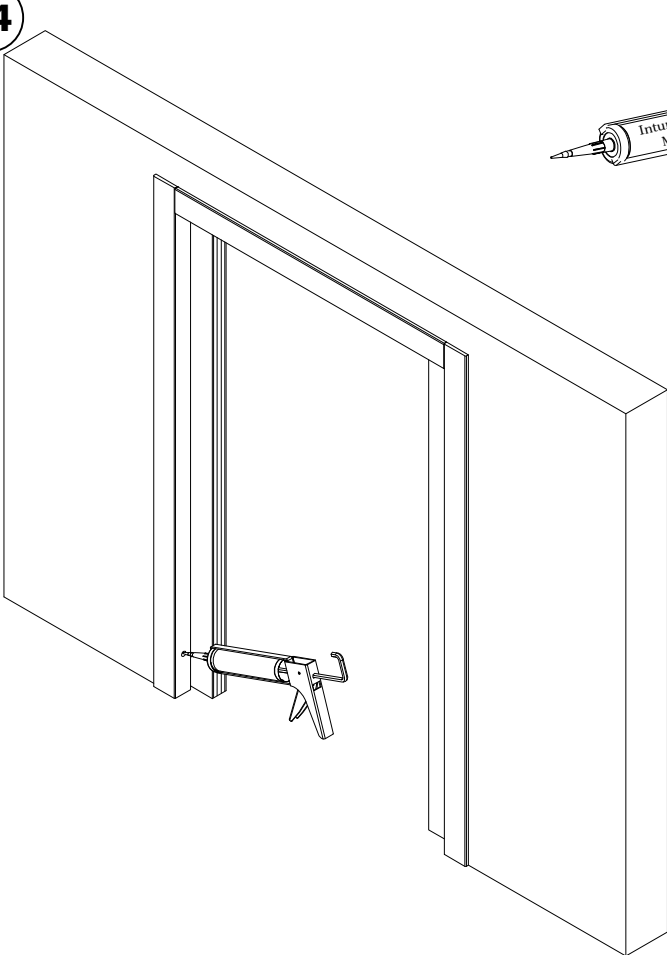
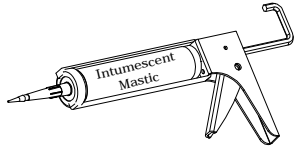
**ATTENTION:** SHOULD YOU INSTALL THE ECLISSE ANTI SLAM BIAS SYSTEM THE DOOR STOP (e) IS NO LONGER NEEDED.

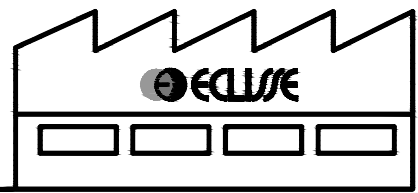
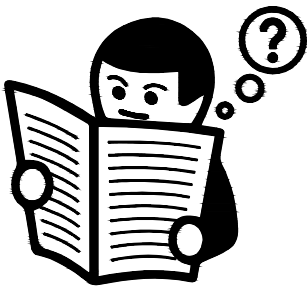
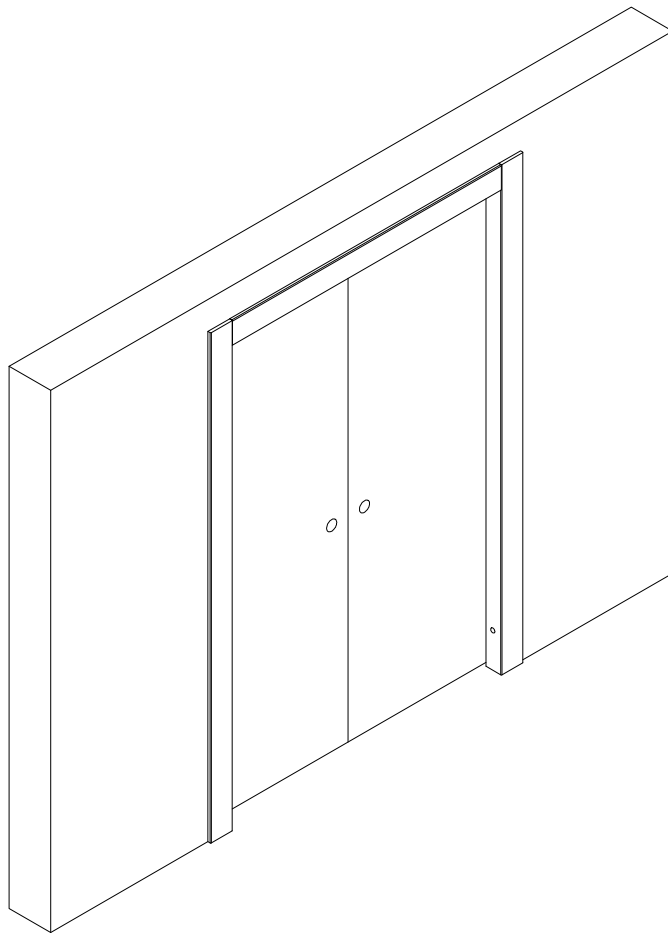
11 x 2





14





© ECLISSE UK - Tel.:0845 4811977 - Fax:01476 560951 - info@eclisse.co.uk

[www.eclisse.co.uk](http://www.eclisse.co.uk)