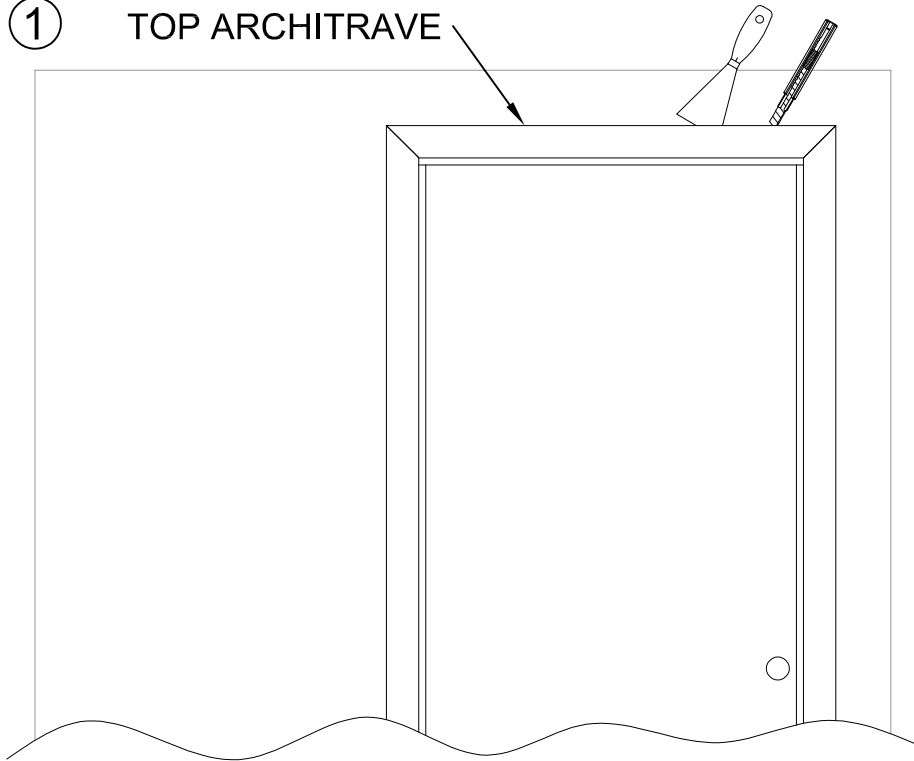


HOW TO REMOVE THE DOOR FROM AN ECLISSE UNICO POCKET DOOR SYSTEM

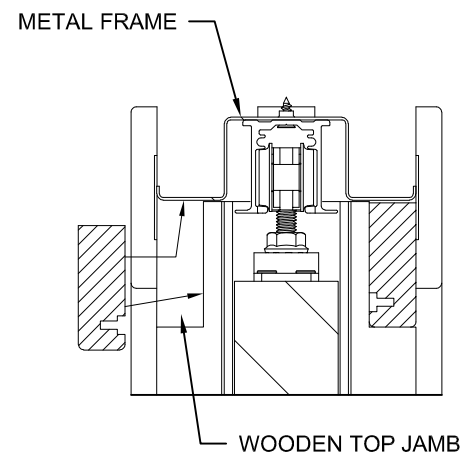
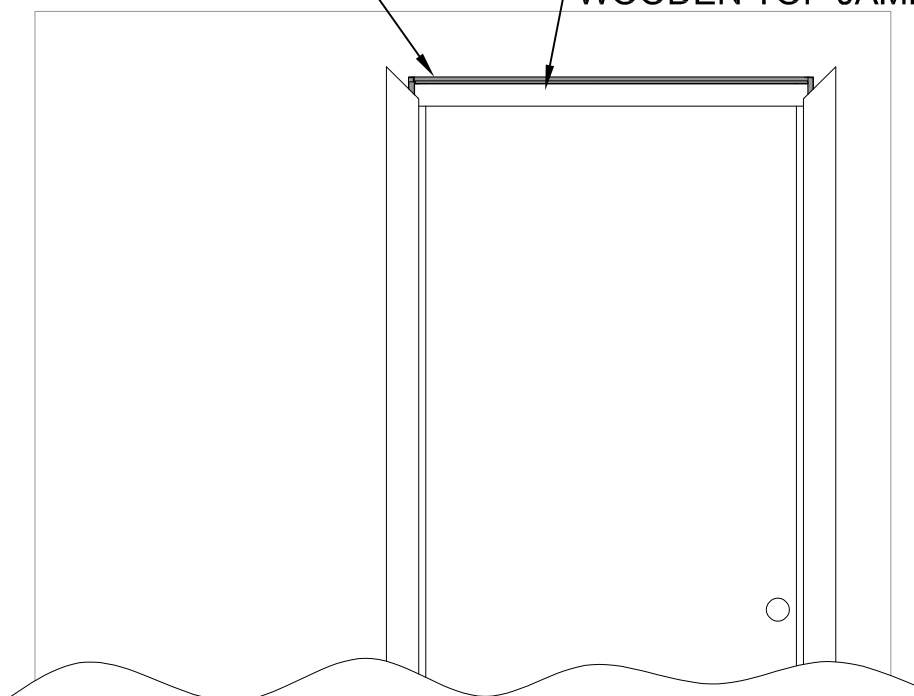
① TOP ARCHITRAVE



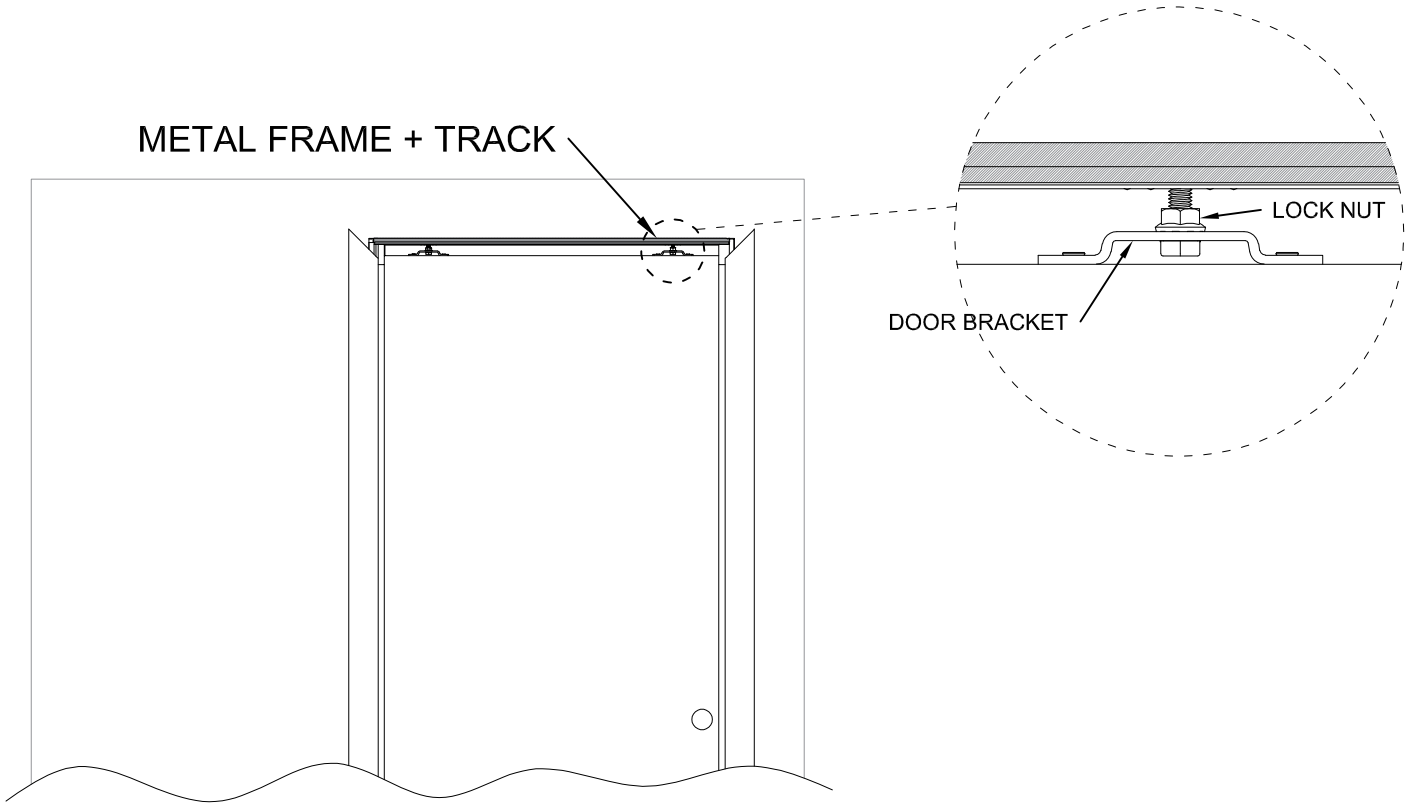
Remove top architrave.
If attached with silicone use a spatula or cutting knife.
If pin-nailed on be more careful not to damage it.

②

METAL FRAME WOODEN TOP JAMB



Remove wooden top jamb.
If attached with silicone use a spatula or cutting knife.
If pin-nailed or screwed be more careful not to damage it.



Extend door to almost closed and loosen both lock nuts.
 Slide gently the leading bracket out of the bolt. Carefully slide the door completely out of the pocket.
 Be careful not to damage the door guide positioned at floor level at the entrance to the pocket.

