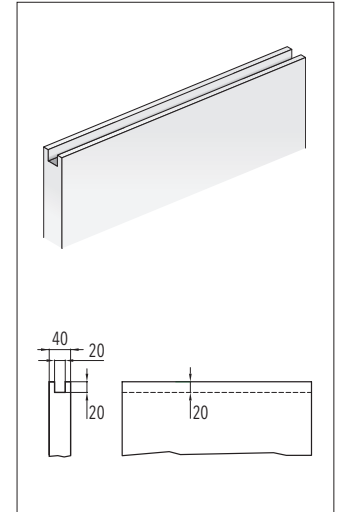
**IMPORTANT**

Wooden door panels should be routed as shown along the top edge.



FRAMES FOR DOUBLE DOORS			DOOR PANEL UK	
MAX. PASSAGE SIZE PW x PH	OVERALL DIMENSION W x H	FINISHED WALL FW	DW	DH
1200 x 2048	2670 x 2108	100 - 125 - 150	626	2040
1400 x 2048	3070 x 2108	100 - 125 - 150	726	2040
1600 x 2048	3470 x 2108	100 - 125 - 150	826	2040
1800 x 2048	3870 x 2108	100 - 125 - 150	926	2040
2000 x 2048	4270 x 2108	100 - 125 - 150	1026	2040
1168 x 1989	2638 x 2049	100 - 125 - 150	2ft. 0in. x 6ft. 6in. (610 x 1981 mm)	
1320 x 1989	2990 x 2049	100 - 125 - 150	2ft. 3in. x 6ft. 6in. (686 x 1981 mm)	
1472 x 1989	3342 x 2049	100 - 125 - 150	2ft. 6in. x 6ft. 6in. (762 x 1981 mm)	
1624 x 1989	3494 x 2049	100 - 125 - 150	2ft. 9in. x 6ft. 6in. (838 x 1981 mm)	
1776 x 1989	3846 x 2049	100 - 125 - 150	3ft. 0in. x 6ft. 6in. (914 x 1981 mm)	
1350 x 1989	3020 x 2049	100 - 125 - 150	2ft. 4in. x 6ft. 6in. (711 x 1981 mm)	
1550 x 2040	3420 x 2100	100 - 125 - 150	2ft. 8in. x 6ft. 8in. (813 x 2032 mm)	
1650 x 2040	3720 x 2100	100 - 125 - 150	2ft. 10in. x 6ft. 8in. (864 x 2032 mm)	

**NOTES**

- ▶ Available in Non Standard Sizes up to 2600 x 2700 mm passage size.
- ▶ Suitable for use with 35 or 44 mm thick doors.
- ▶ Max door weight 100 kg.
- ▶ Passage sizes above 2000 x 2150 mm must be 125 or 150 mm wall thickness.
- ▶ When fitting flush pull handles we recommend the stop be regulated so the door protrudes from the pocket to avoid risk to fingers.
- ▶ Should the door be adjusted to enter the pocket completely we do not accept any liability.
- ▶ Doors and plasterboard not supplied.
- ▶ Install at finished floor level.

**ACCESSORIES**

- ▶ **Door Furniture**
Flush Pulls
- ▶ **Flush Skirting Board adaptor**
- ▶ **ECLISSE BIAS®**
Soft Close anti-slam device with 40 kg soft closing
- ▶ **ECLISSE BIAS® DS**
Bi-directional soft close up to 40 kg with anti-slam