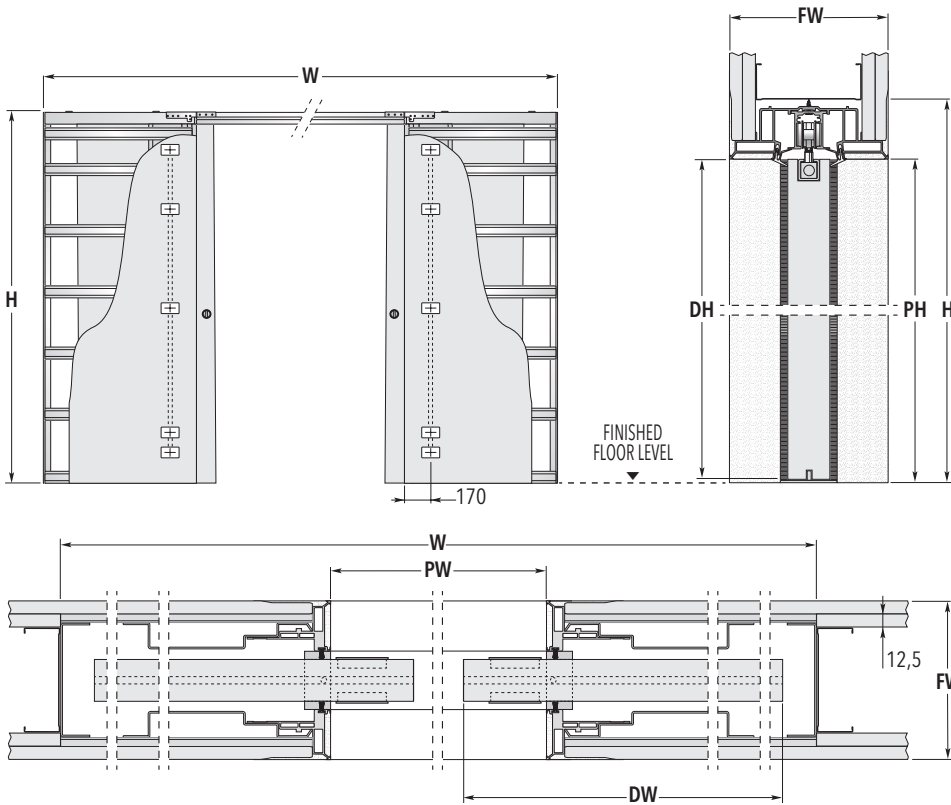


SYNTHESIS® FLUSH DOUBLE - wiring ready

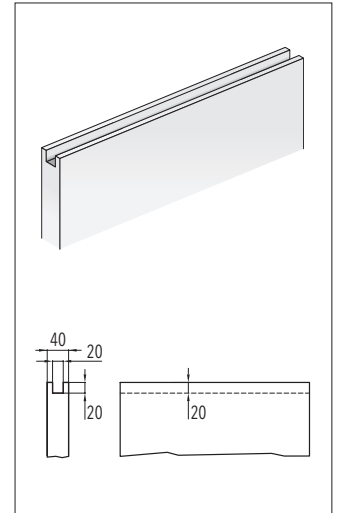
SOCKET READY DOUBLE FLUSH POCKET

Flush Pocket Door System
Wiring/Socket Ready



IMPORTANT

Wooden door panels should be routed as shown along the top edge.



FRAMES FOR DOUBLE DOORS			DOOR PANEL UK	
MAX. PASSAGE SIZE PW x PH	OVERALL DIMENSION W x H	FINISHED WALL FW	DW	DH
1200 x 2048	2674 x 2108	150	626	2040
1400 x 2048	3074 x 2108	150	726	2040
1600 x 2048	3474 x 2108	150	826	2040
1800 x 2048	3874 x 2108	150	926	2040
2000 x 2048	4274 x 2108	150	1026	2040
1168 x 1989	2642 x 2049	150	2ft. 0in. x 6ft. 6in. (610 x 1981 mm)	
1320 x 1989	2994 x 2049	150	2ft. 3in. x 6ft. 6in. (686 x 1981 mm)	
1472 x 1989	3346 x 2049	150	2ft. 6in. x 6ft. 6in. (762 x 1981 mm)	
1624 x 1989	3498 x 2049	150	2ft. 9in. x 6ft. 6in. (838 x 1981 mm)	
1776 x 1989	3850 x 2049	150	3ft. 0in. x 6ft. 6in. (914 x 1981 mm)	
1350 x 1989	3024 x 2049	150	2ft. 4in. x 6ft. 6in. (711 x 1981 mm)	
1550 x 2040	3424 x 2100	150	2ft. 8in. x 6ft. 8in. (813 x 2032 mm)	
1650 x 2040	3724 x 2100	150	2ft. 10in. x 6ft. 8in. (864 x 2032 mm)	

Dimensions are given in mm



NOTES

- ▶ Available in Non Standard Sizes up to 2600 x 2700 mm passage size.
- ▶ Suitable for use with 35 or 44 mm thick doors.
- ▶ Back boxes up to 44 mm deep can be installed on each side of the pocket.
- ▶ Max door weight 100 kg.
- ▶ When fitting flush pull handles we recommend the stop be regulated so the door protrudes from the pocket to avoid risk to fingers.
- ▶ Should the door be adjusted to enter the pocket completely we do not accept any liability.
- ▶ Doors and plasterboard not supplied.
- ▶ Install at finished floor level.



ACCESSORIES

- ▶ **Door Furniture**
Flush Pulls and Bathroom Locks
- ▶ **Flush Skirting Board adaptor**
- ▶ **ECLISSE BIAS®**
Soft Close anti-slam device with 40 kg soft closing
- ▶ **ECLISSE BIAS® DS**
Bi-directional soft close up to 40 kg with anti-slam